

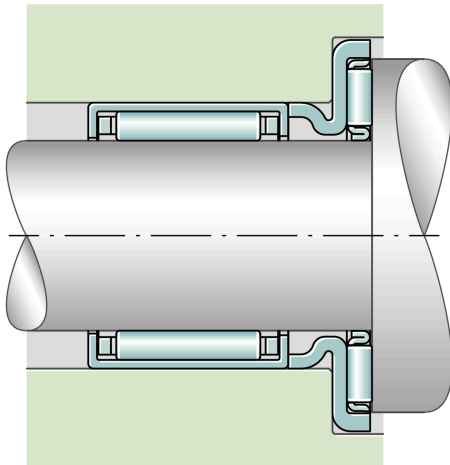
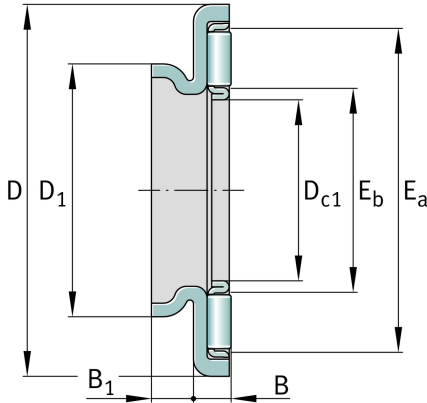
## AXW40

### Axial needle roller bearing

Schaeffler ID:  
0001621240000

Axial needle roller bearings, single  
direction, AXK with axial bearing washer

#### Technical information



#### Main Dimensions & Performance Data

$D_{c1}$	40 mm	Bore diameter cage
$D$	63 mm	Outside diameter bearing washer
$B$	4.2 mm	Height bearing
$B_1$	4 mm	Height centering collar
$D_1$	47 mm	Outside diameter centering collar
$E_a$	58 mm	Raceway dimension
$E_b$	45 mm	Raceway dimension
$C$	28,000 N	Basic dynamic load rating, axial
$C_{0a}$	114,000 N	Basic static load rating, axial
$c_{ua}$	12,100 N	Fatigue load limit, axial
$n_G$	5,800 1/min	Limiting speed
$n_{\vartheta r}$	2,800 1/min	Reference speed
	40 g	Weight

#### Additional information

AS4060	Axial bearing washer
HK4018-RS	Drawn cup needle roller bearings turned
HK4016	Drawn cup needle roller bearings
HK4020	Drawn cup needle roller bearings
HK4012	Drawn cup needle roller bearings for radial bearing arrangement
BK4020	Needle bush
NKIS25	Needle roller bearings with inner ring
NA4906	Needle roller bearings with inner ring
NA6906	Needle roller bearings with inner ring
NK132/20	Needle roller bearings with inner ring
NK132/30	Needle roller bearings with inner ring
NK37/20	Needle roller bearings with out inner ring
NK37/30	Needle roller bearings with out inner ring
NKS32	Needle roller bearings with out inner ring
RNA4906	Needle roller bearings with out inner ring
RNA6906	Needle roller bearings with out inner ring

